



## Pool price calculation- order form

1) Inner track width means the narrowest point of the roof. (Figure 4)	<b>internal width of tracks</b>	<b>380 cm</b>
2) Outer track width is the maximum size of the roof. (Figure 4)	<b>external width of tracks</b>	<b>437 cm</b>
3) The internal length is the length of the roof in the stretched state. (Figure 4)	<b>internal length of roofing</b>	<b>854 cm</b>
4) Center height is the height of the central segment of the enclosure (+ / - 3 cm) (Fig. 5-6)	<b>central height of roofing</b>	<b>119 cm</b>
5) The number of segments is given according to the desired length of the roof. (Figure 3)	<b>segments quantity</b>	<b>4 ks</b>

### Type of Roofing

**TREND ECONOMIC**

0,00 €

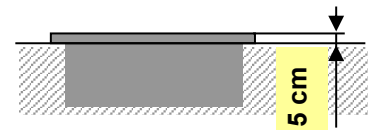
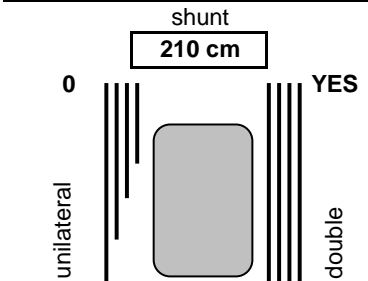
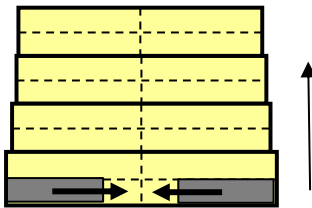


Fig. 3

side doors sliding YES  
side doors shunting 0  
segments quantity 4 ks



height	standardly - its set by price list	in price	YES	0,00 €
tracks	unilateral for shift in one direction	in price		0,00 €
	panels to slide on both directions		YES	0,00 €
	extra track for at front and back (without full uncover on pallet)	0 cm		0,00 €
	total tracks length	1064 cm		0,00 €
0,0 m	walkable cover for unilateral track	0,0 m		0,00 €
85,1 m	walkable cover for double-sided tracks	68,3 m		0,00 €
pool pic.2	pool edge or height of landrace bar of pool paving - L	5 cm		0,00 €
low brow	above ground L + 5cm, removable from polycarbonate	in price	10 cm	0,00 €
	sliding doors- surcharge	with threshold		0,00 €
	sliding doors- surcharge	without thresho		0,00 €
(picture 5)	other upgrades of brow- surcharge./pcs			0,00 €
big brow	for above ground L + 5cm, removable from polycarbonate	in price	10 cm	0,00 €
	sliding doors- standard	with threshold		0,00 €
	sliding doors- standard	without threshold		0,00 €
(picture 6)	other upgrades of brow- /pcs			0,00 €
side	side sliding door (opening upwards)		YES	0,00 €
(picture 3)	shunting side door (opening to the side)			0,00 €
surface	silver elox - surface	in price	YES	0,00 €
	Anthracite/Bronz powder coating	14%		0,00 €
filler	transparent polycarbonate thick. 10mm with UV stabil.	in price	YES	0,00 €
	Smoked polycarbonate thickness 10mm with UV stabil.	5%		0,00 €
	SAN clear boards - thickness 4mm with UV stabil.	28€ / m <sup>2</sup>		0,00 €
locks	Locks for segments			0,00 €
reinforce	reinforcing bars for 4mm SAN boards			0,00 €
editing	AFNOR norm		NO	0,00 €
	Total tracks behind pool	210 cm		0,00 €
other				0,00 €
Packing	Packing, palette + rails for full uncover	210 cm	YES	0,00 €

Price	0,00 €
	0,00 €
<b>Total price</b>	<b>0,00 €</b>
	0,00 €
	0,00 €
<b>Total</b>	<b>0,00 €</b>

Price calculation is valid until **11.02.2022**

**Roofing dimensions**

TYPE: **TREND ECONOMIC**

Fig. 4

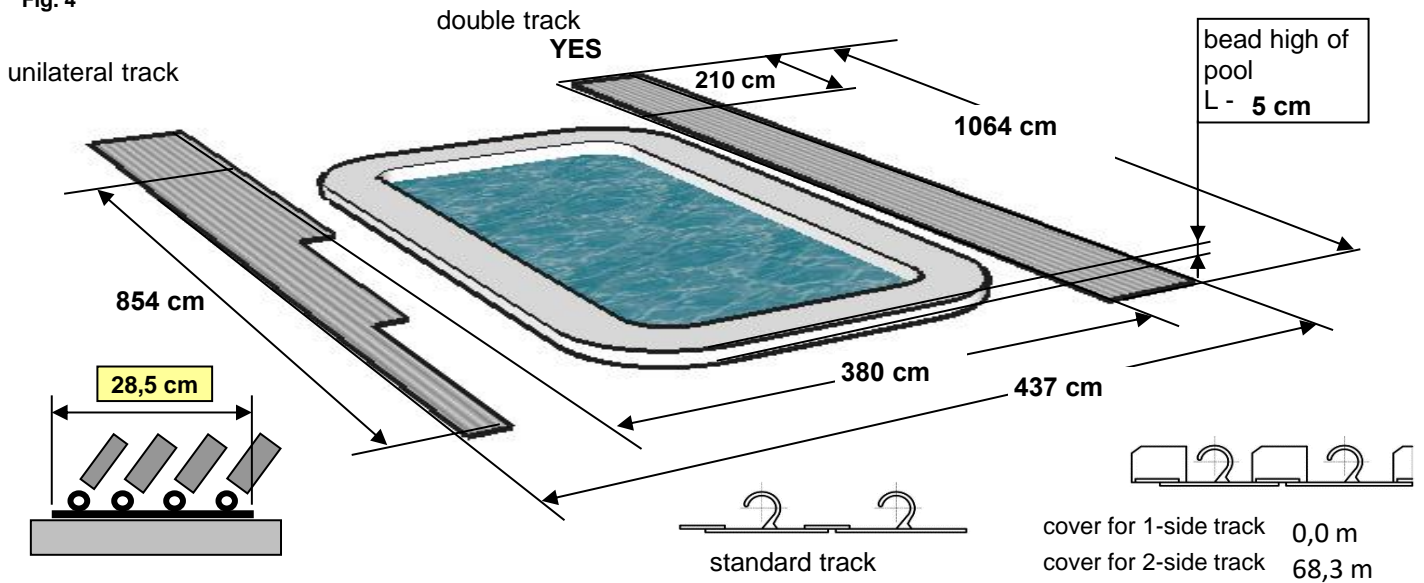


Fig. 5 **LOW BROW-TYPE AND DOOR LOCATION**

with threshold	without threshold	other
0	0	0

Highest segment - upper point (external) of enclosure 137  
 Central height - middle height of enclosure  
 Lowest segment - lowest point (internal) of enclosure 119

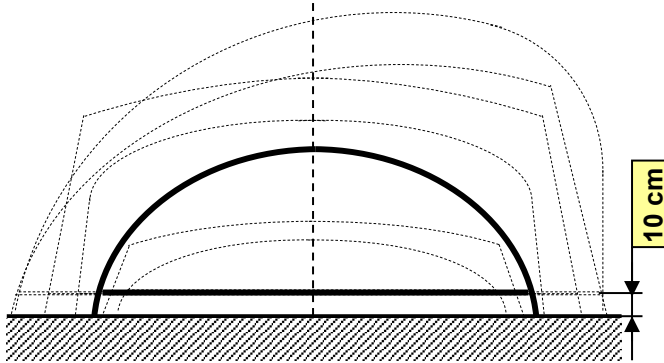
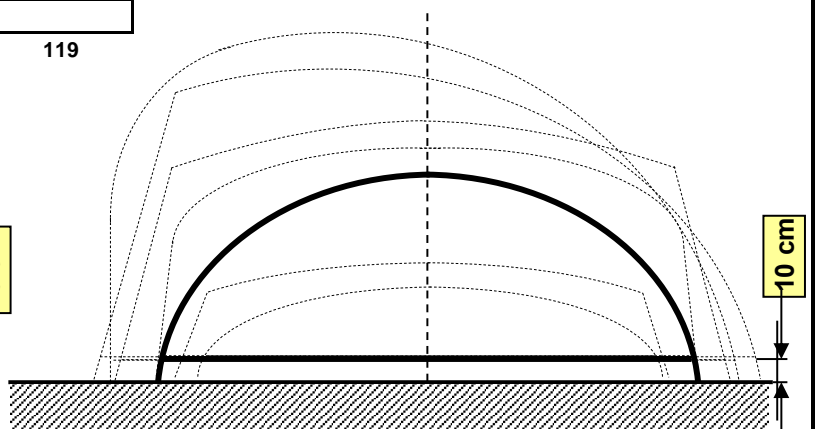


Fig. 6 **BIG BROW-TYPE AND DOOR LOCATION**

with threshold	without threshold	other
0	0	0

high is valid in case of gaps between profiles 20mm!

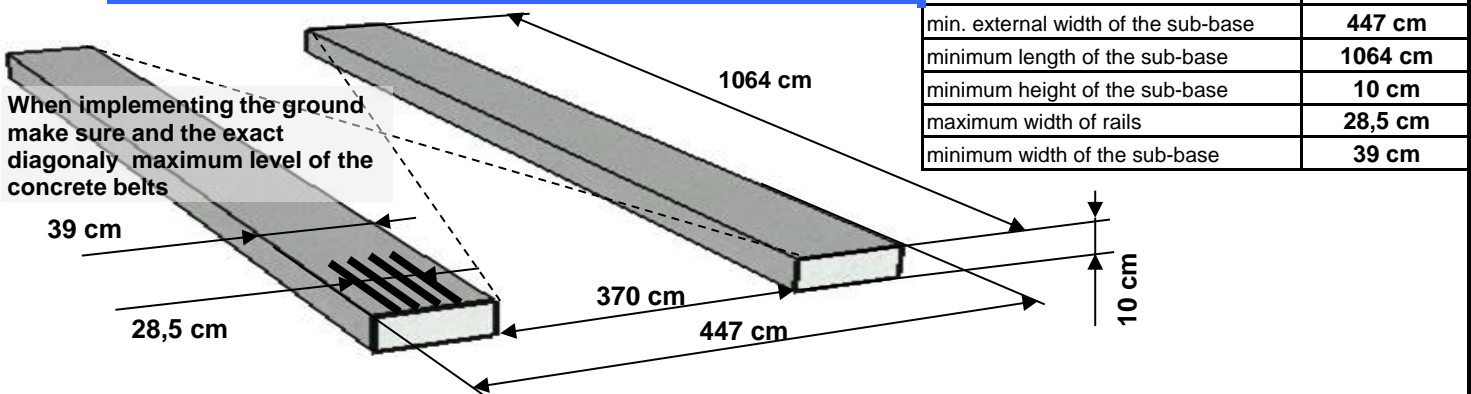


<b>DOOR - NO</b>	
width -	height - MAX.
note:	

← DOOR →

<b>DOOR - NO</b>	
width -	height - MAX.
note:	

**Preparation of materials for tracks-concrete belts**



min. internal width of the sub-base	370 cm
min. external width of the sub-base	447 cm
minimum length of the sub-base	1064 cm
minimum height of the sub-base	10 cm
maximum width of rails	28,5 cm
minimum width of the sub-base	39 cm

When implementing the ground make sure and the exact diagonally maximum level of the concrete belts



group of

**Mountfield**

**ISO 9001**

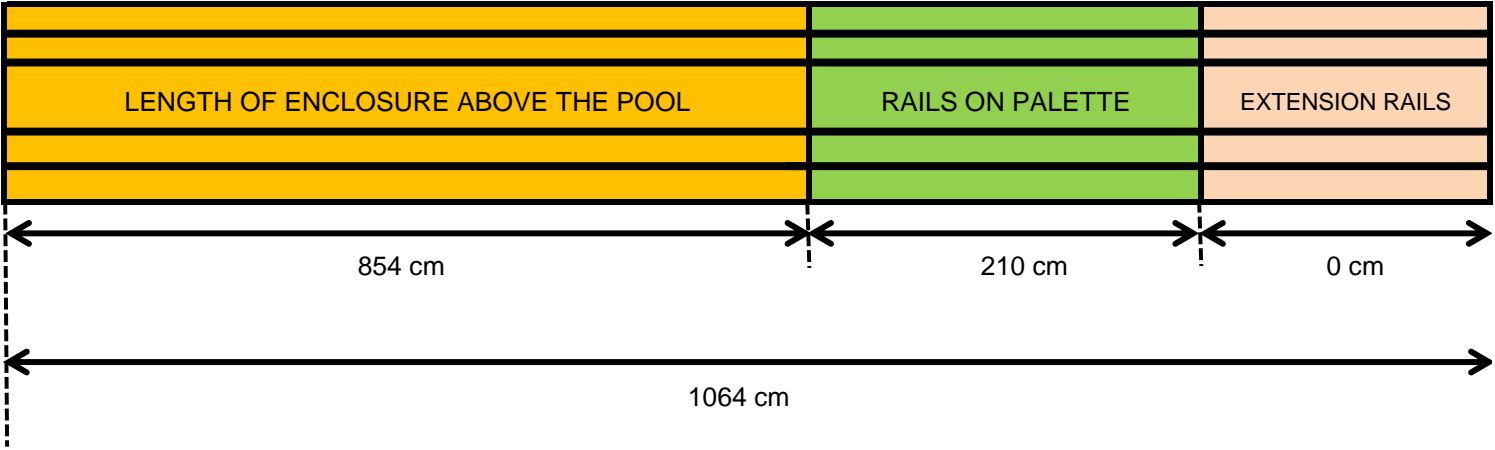


date :  
**Mountfield a.s.**

.....

sign

UNILATERAL	DOUBLE-SIDED
------------	--------------



CALCULATION FOR DOUBLE-SIDED RAILS	
8 pcs 6m	8 pcs 2,1 m
8 pcs 2,54 m	

CALCULATION FOR UNILATERAL RAILS	
-2 pcs 6m	8 pcs 2,1 m

CAP COVER FOR DOUBLE-SIDED RAILS	
8 pcs 6m	
8 pcs 4,64 m	