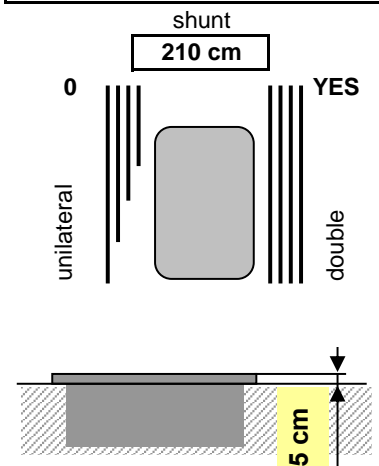




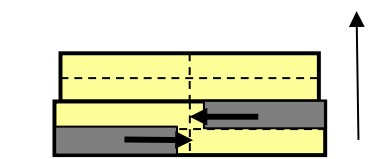
## Pool price calculation- order form

1) Inner track width means the narrowest point of the roof. (Figure 4)	<b>internal width of tracks</b>	<b>320 cm</b>
2) Outer track width is the maximum size of the roof. (Figure 4)	<b>external width of tracks</b>	<b>350 cm</b>
3) The internal length is the length of the roof in the stretched state. (Figure 4)	<b>internal length of roofing</b>	<b>460 cm</b>
4) Center height is the height of the central segment of the enclosure (+ / - 3 cm) (Fig. 5-6)	<b>internal minimum height</b>	<b>102 cm</b>
5) The number of segments is given according to the desired length of the roof. (Figure 3)	<b>segments quantity</b>	<b>2 ks</b>

<b>Type of Roofing</b>	<b>TREND OLYMP</b>	<b>0,00 €</b>
------------------------	--------------------	---------------



**Fig. 3**  
side doors sliding YES  
side doors shunting 0  
segments quantity 2 ks



<b>height</b>	standardly - its set by price list	in price	YES	0,00 €
				0,00 €
<b>tracks</b>	unilateral for shift in one direction	in price		0,00 €
	panels to slide on both directions		YES	0,00 €
	extra track for at front and back (without full uncover on pallet)		0 cm	0,00 €
	total tracks length		670 cm	0,00 €
	0,0 m walkable cover for unilateral track		0,0 m	0,00 €
26,8 m walkable cover for double-sided tracks		18,4 m		0,00 €
<b>pool pic.2</b>	pool edge or height of landrace bar of pool paving - L		5 cm	0,00 €
<b>low brow</b>	above ground L + 5cm, removable from polycarbonate	in price	10 cm	0,00 €
	sliding doors- surcharge with threshold			0,00 €
	sliding doors- surcharge without thresho			0,00 €
	(picture 5) other upgrades of brow- surcharge./pcs			0,00 €
<b>big brow</b>	for above ground L + 5cm, removable from polycarbonate	in price	10 cm	0,00 €
	sliding doors- standard with threshold			0,00 €
	sliding doors- standard without threshold			0,00 €
	(picture 6) other upgrades of brow- /pcs			0,00 €
<b>side</b>	side sliding door (opening upwards)		YES	0,00 €
	(picture 3) shunting side door (opening to the side)			0,00 €
<b>surface</b>	silver elox - surface	in price	YES	0,00 €
	Anthracite/Bronz powder coating	14%		0,00 €
<b>filler</b>	transparent polycarbonate thick. 10mm with UV stabil.	in price	YES	0,00 €
	Smoked polycarbonate thickness 10mm with UV stabil.	5%		0,00 €
	SAN clear boards - thickness 4mm wih UV stabil.	28€ / m <sup>2</sup>		0,00 €
<b>locks</b>	Locks for segments			0,00 €
<b>reinforce</b>	reinforcing bars for 4mm SAN boards			0,00 €
<b>editing</b>	AFNOR norm		NO	0,00 €
	Total tracks behind pool	210 cm		0,00 €
<b>other</b>				0,00 €
<b>Packing</b>	Packing, palette + rails for full uncover	210 cm	YES	0,00 €

Price calculation is valid until **11.02.2022**

Price		0,00 €
		0,00 €
<b>Total price</b>		<b>0,00 €</b>
		0,00 €
		<b>0,00 €</b>
<b>Total</b>		<b>0,00 €</b>

**Roofing dimensions**

TYPE: **TREND OLYMP**

sheet no. 2

Fig. 4

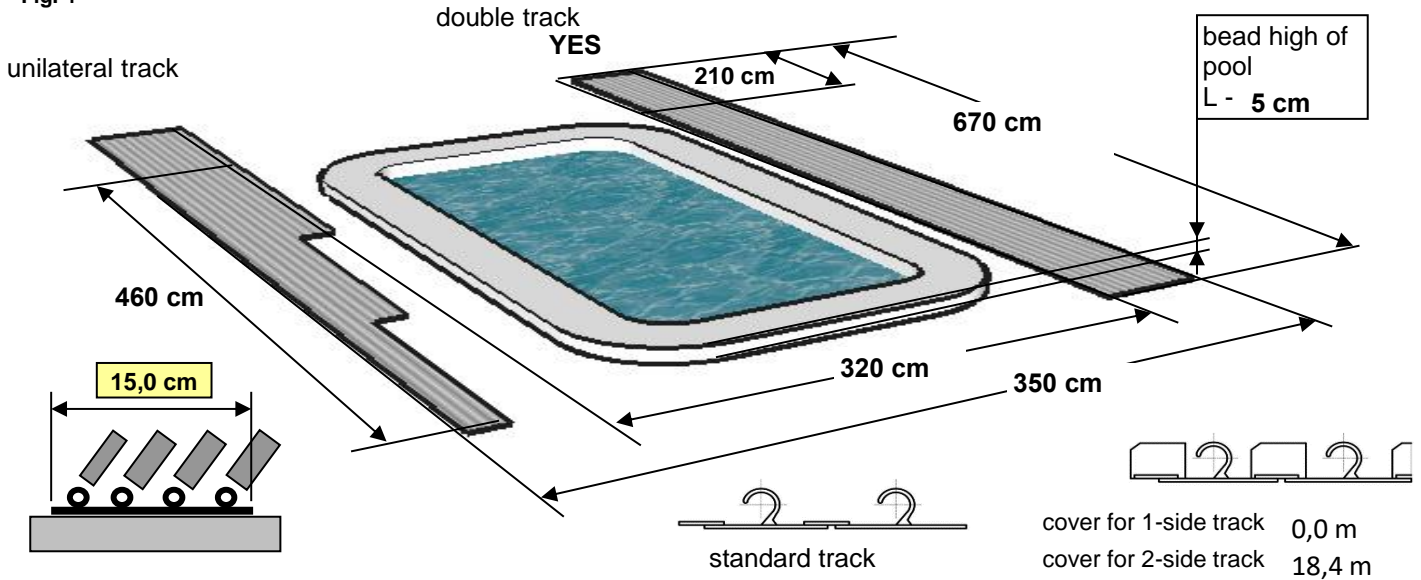


Fig. 5 **LOW BROW-TYPE AND DOOR LOCATION**

with threshold	without threshold	other
0	0	0

Highest segment - upper point (external) of enclosure 108

Central height - middle height of enclosure

Lowest segment - lowest point (internal) of enclosure 102

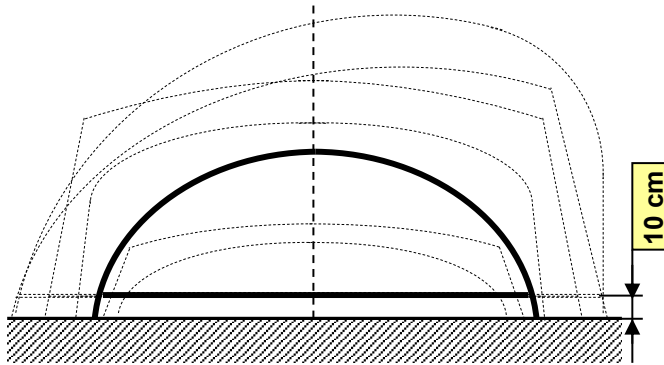
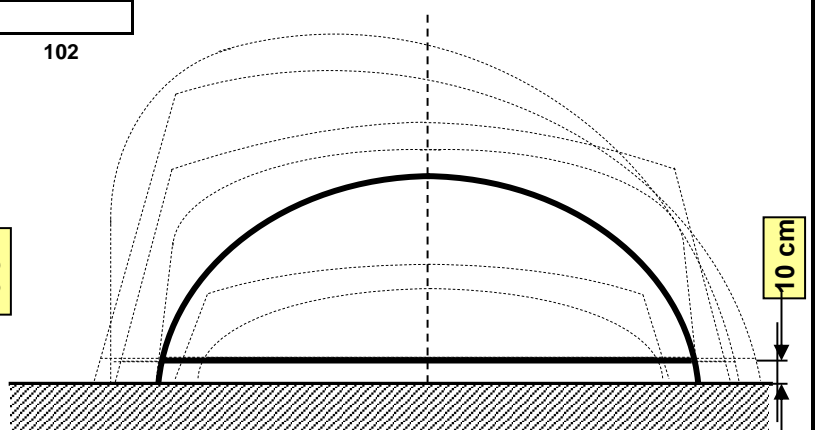


Fig. 6 **BIG BROW-TYPE AND DOOR LOCATION**

with threshold	without threshold	other
0	0	0

high is valid in case of gaps between profiles 20mm!

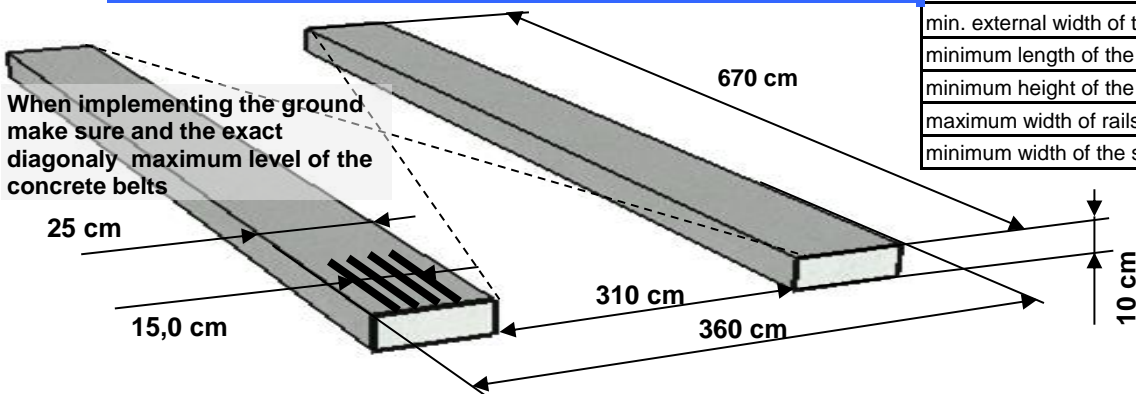


DOOR - NO	
width -	height - MAX.
note:	

← DOOR →

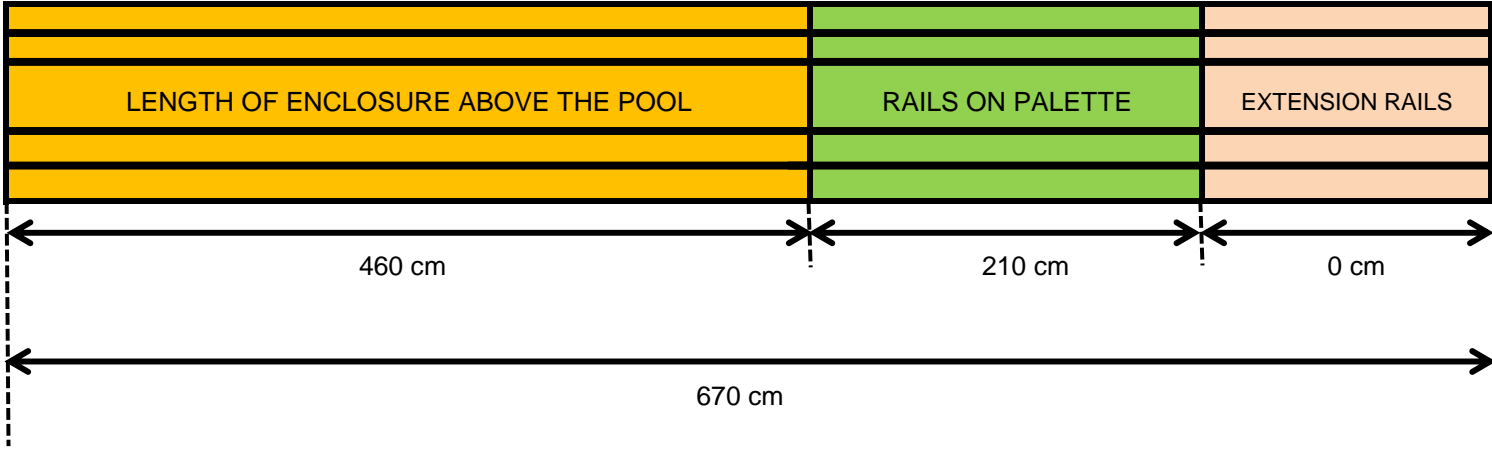
DOOR - NO	
width -	height - MAX.
note:	

**Preparation of materials for tracks-concrete belts**



min. internal width of the sub-base	310 cm
min. external width of the sub-base	360 cm
minimum length of the sub-base	670 cm
minimum height of the sub-base	10 cm
maximum width of rails	15,0 cm
minimum width of the sub-base	25 cm

UNILATERAL	DOUBLE-SIDED
------------	--------------



CALCULATION FOR DOUBLE-SIDED RAILS	
0 pcs 6m	4 pcs 2,1 m
4 pcs 4,60 m	

CALCULATION FOR UNILATERAL RAILS	
-1 pcs 6m	4 pcs 2,1 m

CAP COVER FOR DOUBLE-SIDED RAILS	
4 pcs 6m	
4 pcs 0,70 m	